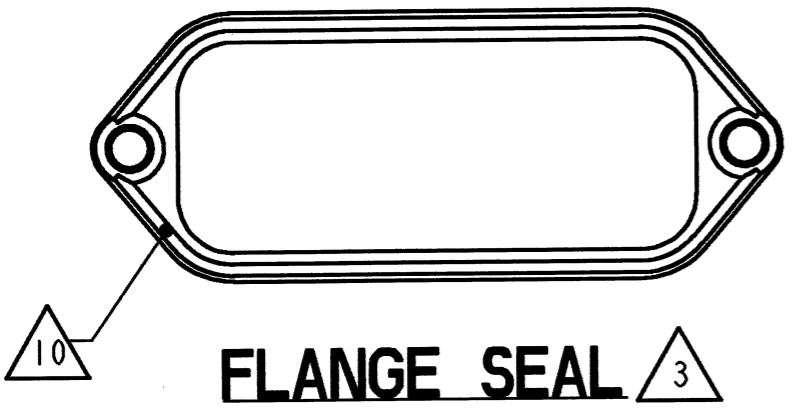
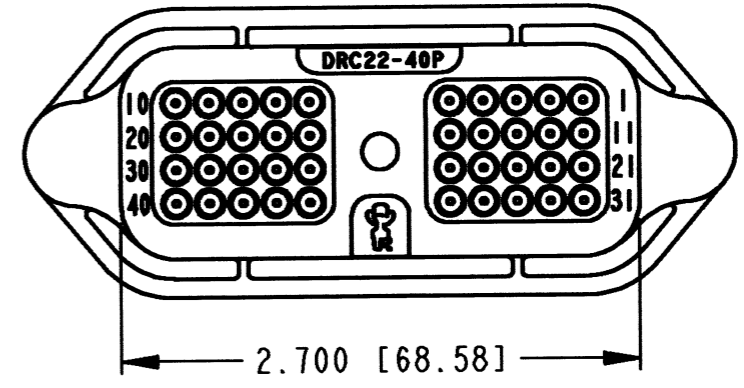
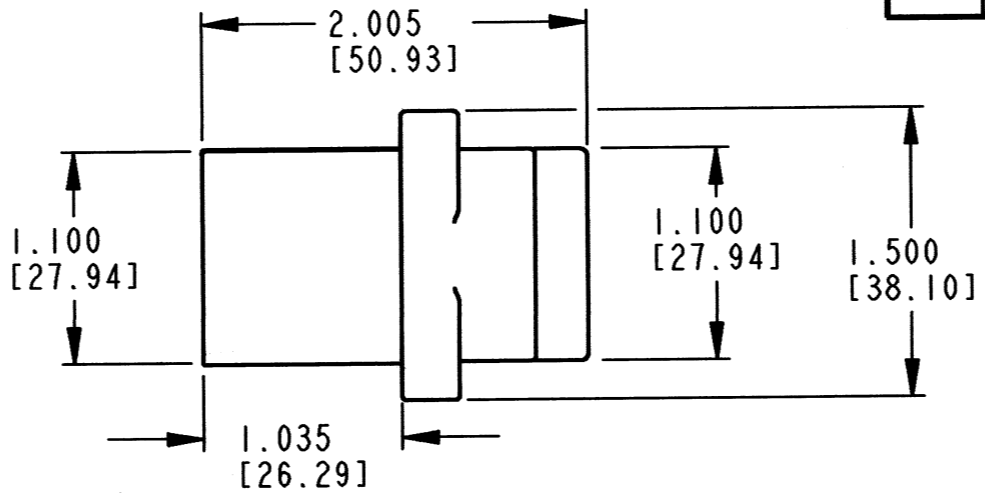
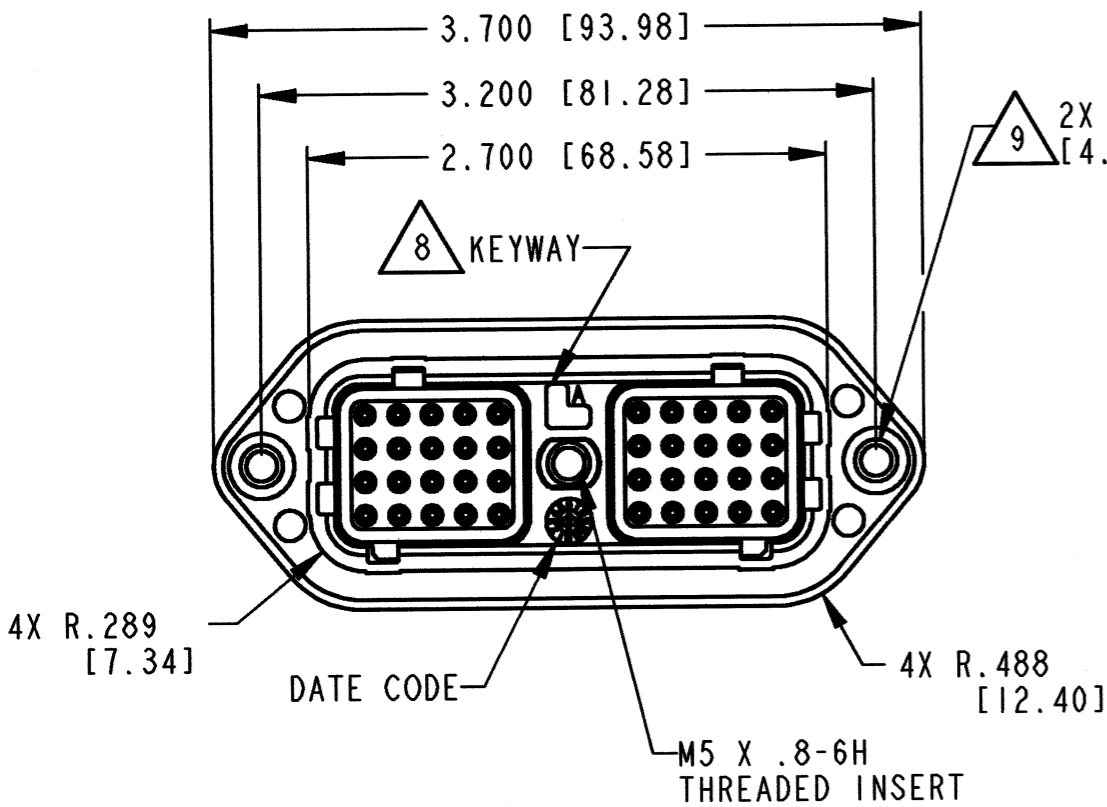


REV
A **DRC22-40P***

REVISIONS			
SYM	DESCRIPTION	DATE	APPROVED
NC	NEW RELEASE PER E.O. P19974	1-28-09	R.D.R.
A	REVISED PER E.O. P20723	12-2-10	RDR



CONTACT SIZE	MIN. INSUL. O.D.	MAX. INSUL. O.D.	WIRE RANGE [mm ²] REF ONLY
20	.040 [1.016]	.095 [2.413]	16-20 AWG [1.0-0.5]

- 1 SURFACE FINISH: 32 RMS OR BETTER; \square .005 [0.12].
- 10 FULLY SEAT THE FLANGE SEAL IN THE RECESS WITH THE RAISED SEAL FACING OUTWARD.
- 9 RECOMMENDED SCREW: 8-16 [M5 X 2.24] THREAD-FORMING SCREW. TORQUE: 15-20 IN-LB [1.69-2.26 NM].
- 8 SEE SHEET 2 FOR OTHER KEY ARRANGEMENTS.
- 7. THIS RECEPTACLE MATES WITH DRC26-40S*-**** PLUG (*=A,B,C,D KEYS; ****=ALL MODIFICATIONS).

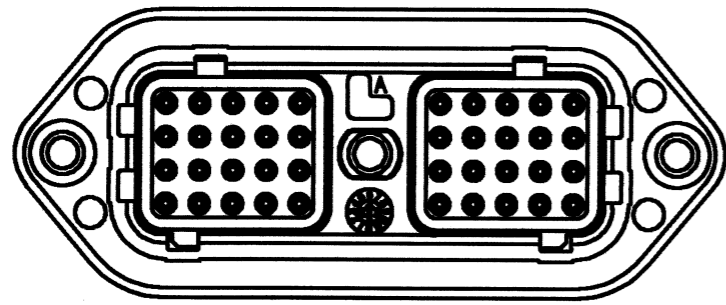
- 6 FOR CONTACT AND WIRE PERFORMANCE AND APPLICATION CHARACTERISTICS SEE ENVELOPE DRAWING 0425-015-0000.
 - 5. MATERIAL - PLASTIC (BLACK); INSERT: STEEL; SEALS: RUBBER.
 - 4. RECEPTACLE IS SUPPLIED WITH DUST CAP (NOT SHOWN).
 - 3 FLANGE SEAL (P/N 0513-020-4006) IS SHIPPED LOOSE WITH RECEPTACLE.
 - 2. DIMENSION TOLERANCE: \pm .025 [0.64]; PANEL CUTOUT: \pm .010 [0.25].
 - 1. DIMENSIONS ARE IN INCHES [mm].
- NOTES: UNLESS OTHERWISE SPECIFIED

SIGNATURE & DATE	
DR	P. CARNAHAN 7/30/08
CHK	<i>[Signature]</i> 12/2/10
PE	<i>[Signature]</i> 12/2/10
APPD	<i>[Signature]</i> 12/2/10
SCALE	NONE WT

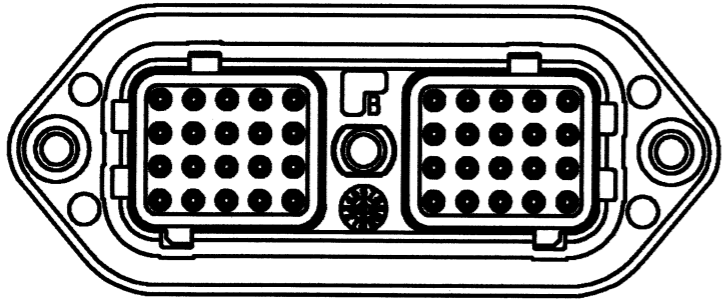
FLANGE MOUNT RECEPTACLE
40 #20 SIZE CONTACTS
KEY ARRANGEMENTS
A, B, C & D
DRC SERIES

ENVELOPE

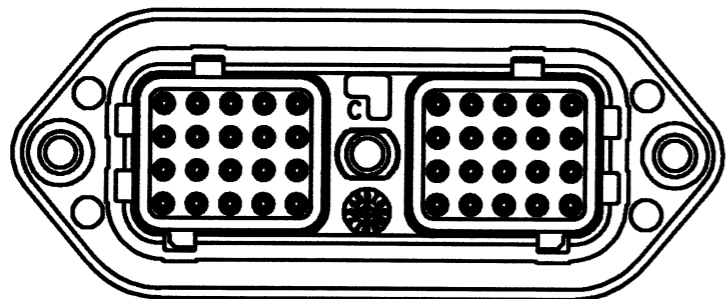
EP 191	MATL. CODE
3850 INDUSTRIAL AVE. HEMET, CA 92545	
DRC22-40P*	
DWG SIZE	SHEET 1 OF 2



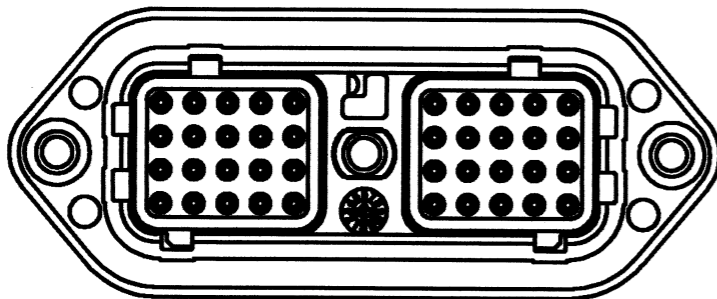
KEY ARRANGEMENT -A-
DRC22-40PA



KEY ARRANGEMENT -B-
DRC22-40PB



KEY ARRANGEMENT -C-
DRC22-40PC

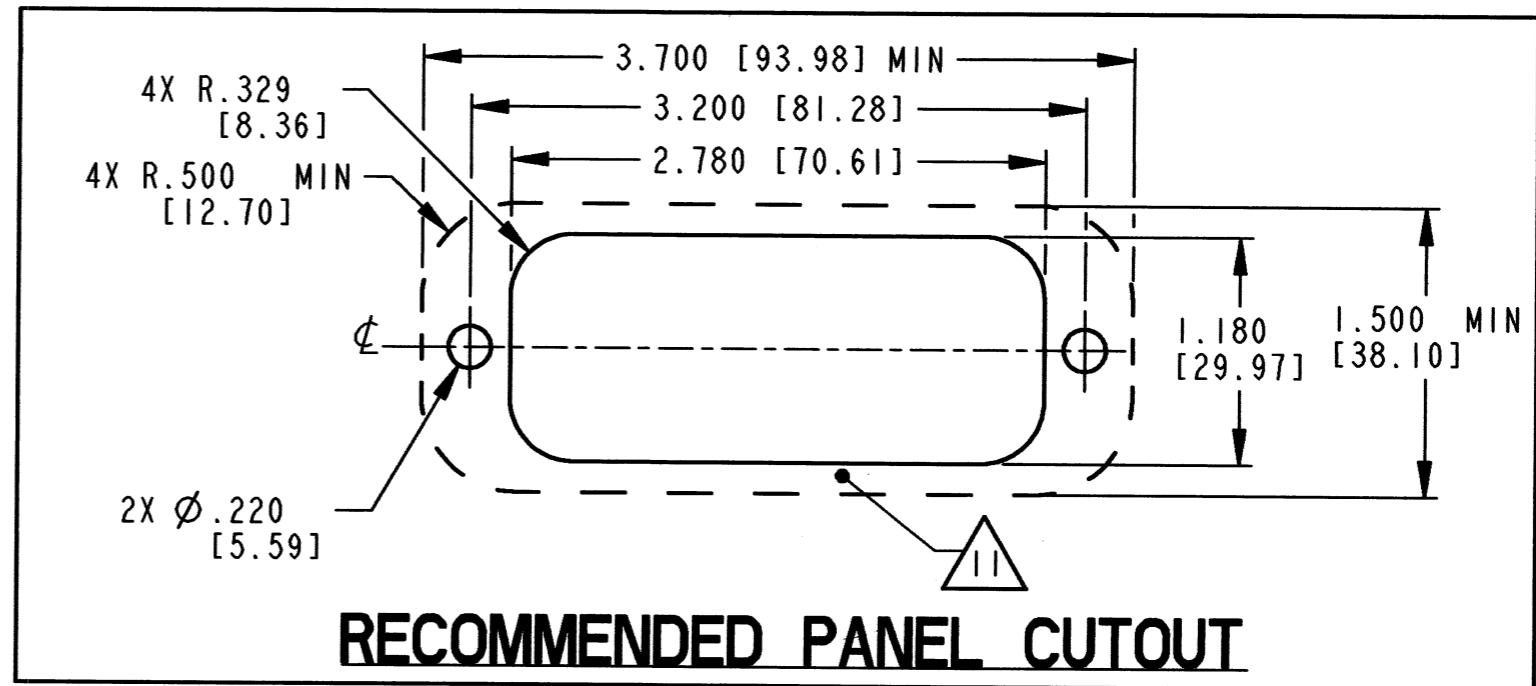
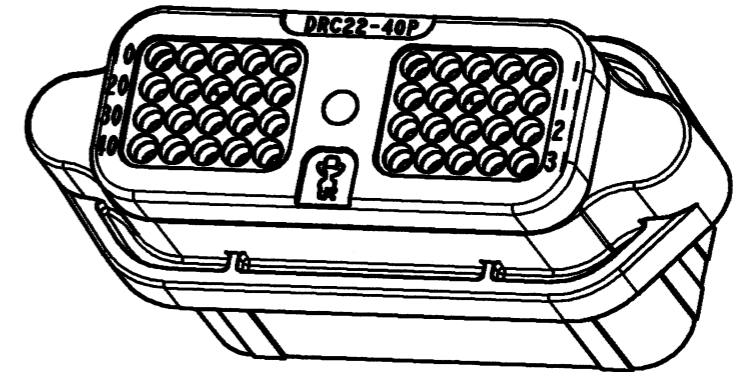
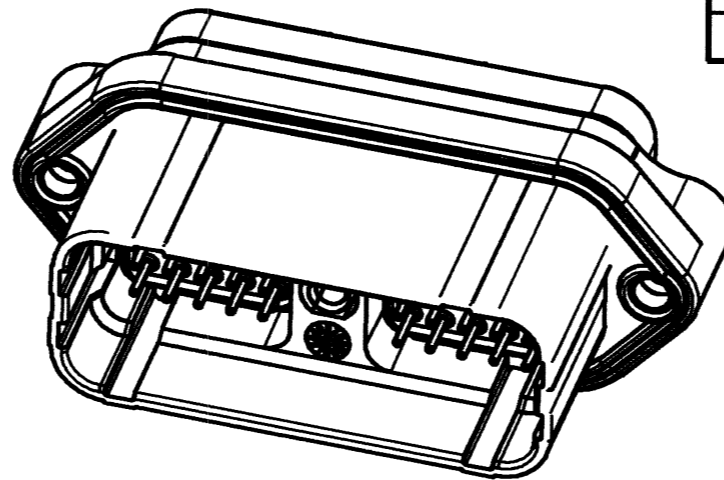


KEY ARRANGEMENT -D-
DRC22-40PD

NOTES:

REV
A DRC22-40P *

REVISIONS			
SYM	DESCRIPTION	DATE	APPROVED
A	SEE SHEET 1	12-2-10	RDR



SIGNATURE & DATE	
DR	P. CARNAHAN 7/30/08
CHK	<i>[Signature]</i> 12/2/10
PE	<i>[Signature]</i> 12/2/10
APPD	<i>[Signature]</i> 12/2/10
SCALE	NONE

FLANGE MOUNT RECEPTACLE
40 #20 SIZE CONTACTS
KEY ARRANGEMENTS
A, B, C & D
DRC SERIES

ENVELOPE

EP 191	MATL. CODE
3850 INDUSTRIAL AVE. HEMET, CA 92545	
B	DRC22-40P *
DWG SIZE	SHEET 2 OF 2